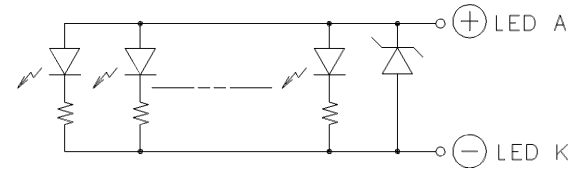
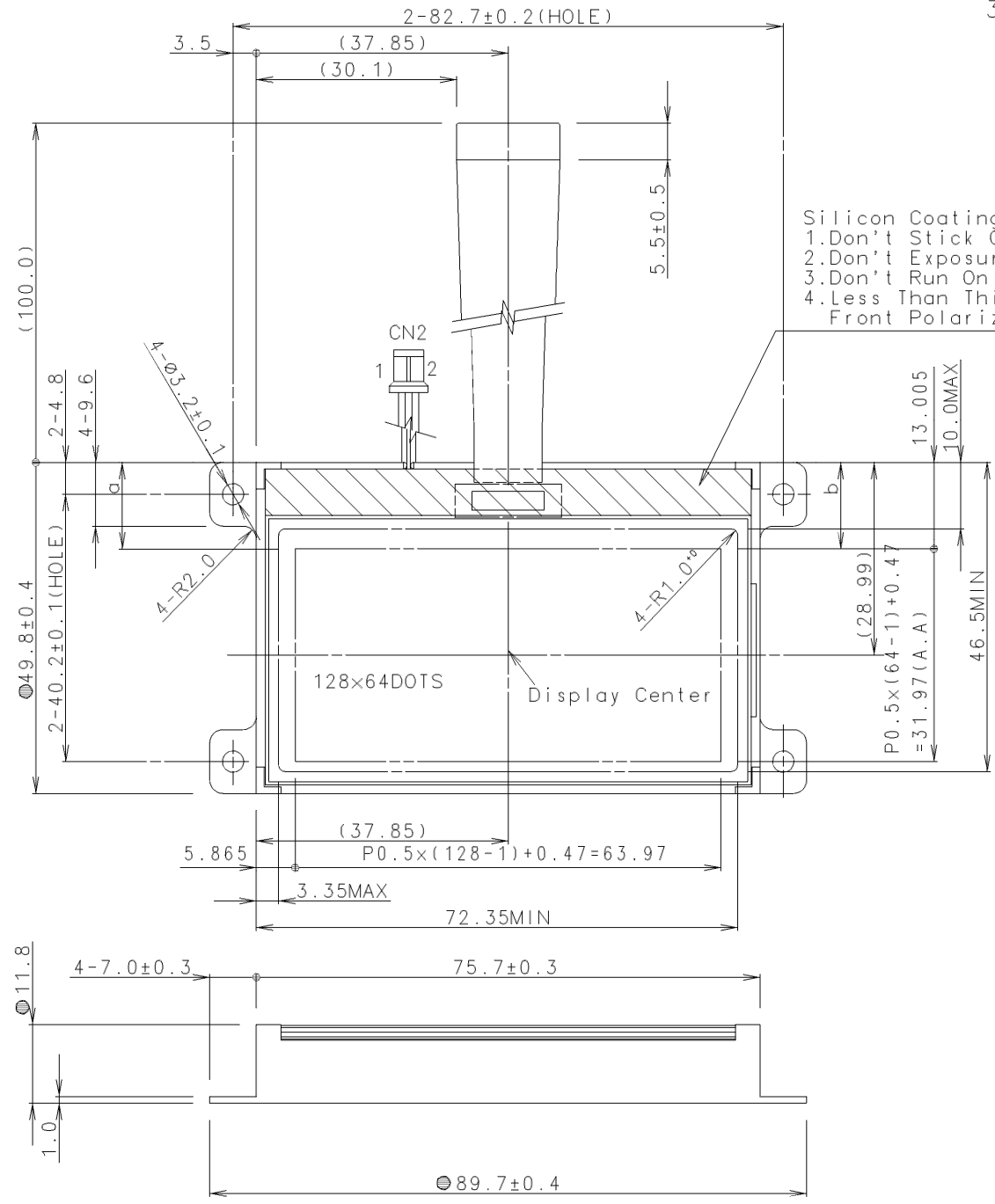


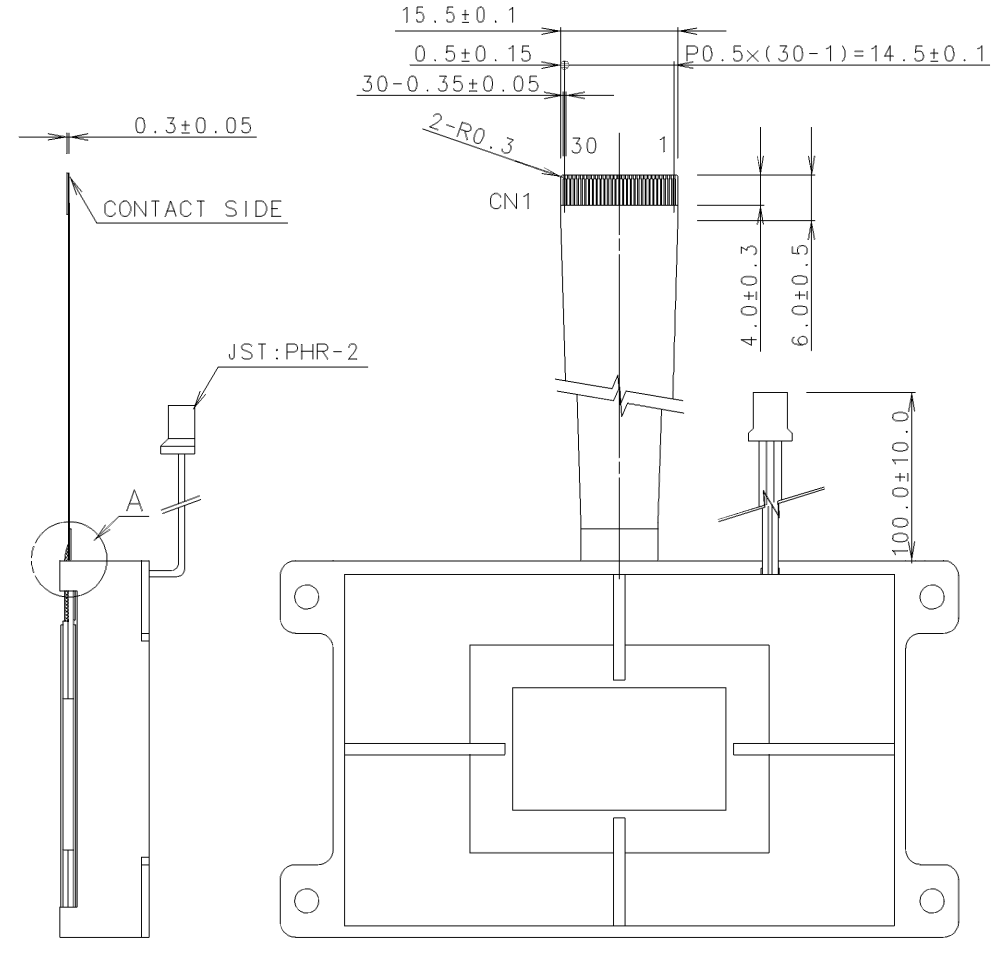
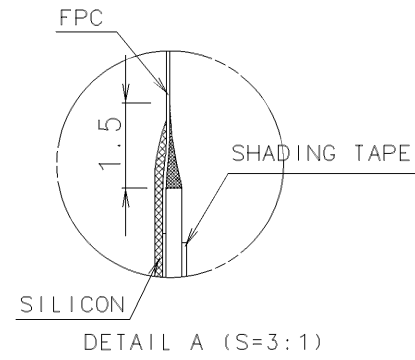
CIRCUIT DIAGRAM



QTY of LED chips  
 351852AA/AC : 4chips  
 351852AB : 7chips  
 351852AG : 12chips



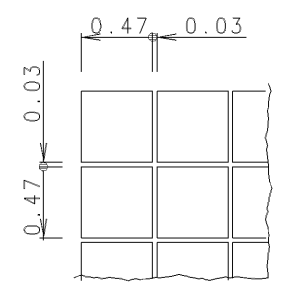
Silicon Coating Area  
 1. Don't Stick Out Of Glass.  
 2. Don't Exposure ITO.  
 3. Don't Run On Front Polarizer.  
 4. Less Than Thickness Of Front Polarizer.



CN1 PIN ASSIGNMENT

| No. | SYMBOL | No. | SYMBOL | No. | SYMBOL |
|-----|--------|-----|--------|-----|--------|
| 1   | CS1    | 11  | D5     | 21  | C2+    |
| 2   | RES    | 12  | D6     | 22  | V1     |
| 3   | A0     | 13  | D7     | 23  | V2     |
| 4   | WR     | 14  | VDD    | 24  | V3     |
| 5   | RD     | 15  | VSS    | 25  | V4     |
| 6   | D0     | 16  | VOUT   | 26  | V5     |
| 7   | D1     | 17  | C3-    | 27  | VR     |
| 8   | D2     | 18  | C1+    | 28  | C86    |
| 9   | D3     | 19  | C1-    | 29  | P/S    |
| 10  | D4     | 20  | C2-    | 30  | NC     |

| PIN No. | SYMBOL |
|---------|--------|
| 1       | LED A  |
| 2       | LED K  |



- NOTES  
 1. Display Skew |a-b| ≤ 0.5  
 2. Do not use materials which are prohibited by RoHS.  
 3. The dimensions with the mark (●) are controlled as a particular characteristic.

| TOLERANCE     |      |      | THIRD ANGLE PROJECTION | DATE<br>Feb. 25 '05 | OPTREX CORPORATION       |
|---------------|------|------|------------------------|---------------------|--------------------------|
| MEASURE       | A    | B    |                        |                     |                          |
| L ≤ 16        | ±0.1 | ±0.3 | ±1                     | UNIT                | APPROVED<br>M. MOTOHASHI |
| 16 < L ≤ 63   | ±0.2 | ±0.5 | ±1.5                   | mm                  | CHECKED<br>T. SUZUKI     |
| 63 < L ≤ 250  | ±0.3 | ±0.8 | ±2                     | SCALE<br>1:1        | DRAWN<br>ERASA. TANG     |
| 250 < L ≤ 500 | ±0.5 | ±1.2 | ±3                     |                     |                          |
| 500 < L       | ±0.8 | ±2   | ±4                     |                     |                          |
| ANGLE         | ±1°  | ±5°  | ±10°                   |                     |                          |

TITLE  
 DIMENSIONAL OUTLINE  
 CODE  
 F-51852AA base  
 DWG NO  
 UE-312339